

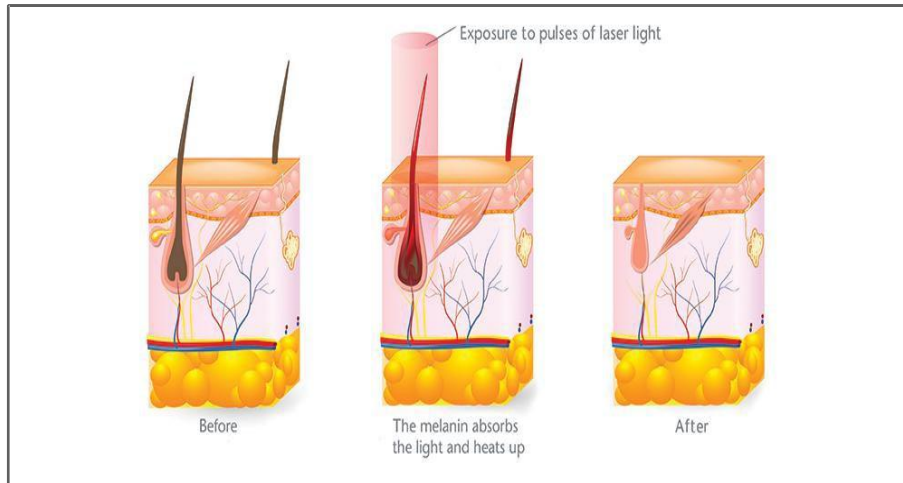
# **Hair Removal & Multifunctional Skin care Laser Platform Diode laser & YAG & E-light 3 in 1 System**



# Different view

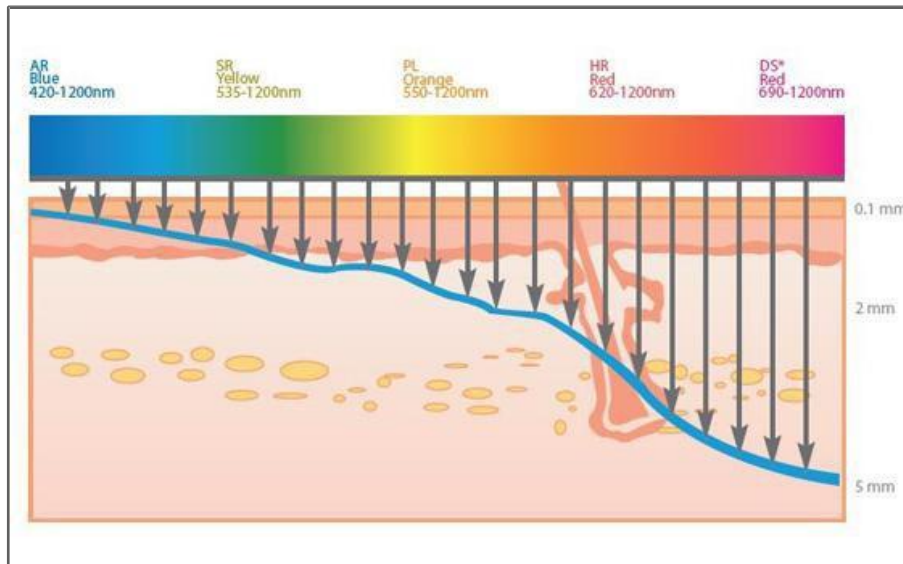


# How it works?



## Diode laser

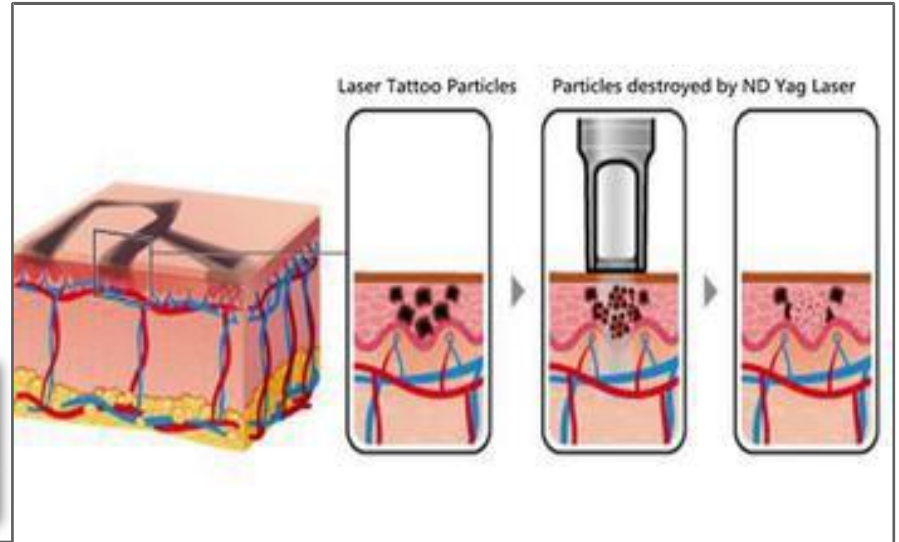
808nm diode laser technology, the best result and most safety in laser hair removal, power penetrates deep into the dermis where the hair follicle is exist, delivering high average power and change its life environment. Diode laser 808nm with sapphire contact cooling offer safe and efficacy reduction of unwanted hair for all skin type



## IPL SHR

The Intense pulsed light (IPL) is a type of intensive, broadband, coherent light source which has a wavelength spectrum of 420nm -1200nm. The light-based component delivers optical energy that is absorbed by specific chromophores in the skin, which is converted to heat, according to the principle of selective photothermolysis. So IPL's light affects pigmentation, broken capillaries and hair follicles. In the meanwhile, IPL also give a boost to collagen production, which can make the skin more youthful, radiant and bright and remove fine wrinkles.

# How it works?



## Nd Yag Q switched laser

Wavelength 532nm 1064nm 1320nm yag laser can penetrate skin according to the theory and practice of "Selective Laser Decomposing", the instrument uses the special laser energy to burst Chromatophore into pieces, which can be naturally absorbed by the body. So that it achieves de-freckling.



# Advantages

- 1.Super big touch screen,faction UI design,HD display,more beauty and easy operation**
- 2.Unique spot size 12\*20mm<sup>2</sup> design,large area can be faster,small area also is convenient.**
- 3.Proven sapphire contact cooling ,2 min can reach -5 degrees,treatments is more comfortable.**
- 4.Laser emitter model is American original 500/600W optional**
- 5.20 million shoots lifetime performance.**
- 6.Greatly TEC cooling inside machine ,18 hours continues working**



# Advantages

- 7.Shortest pulse width can reach 6ns, provide you powerful and effective treatment result.**
- 8.Patent laser cavity, anti-vibration, anti-swing, no beam deflection, most reliable and stable.**
- 9.Latest radiator and special design cooling system with high efficiency makes the machine work continuously 16 hours.**
- 10.Localization with 16 languages, meets the requirement of global market.**
- 11.Nd yag laser handle has triple-band free conditioning 1064nm 532nm 1320nm**



# Advantages

- 12.gh value performance ,more than 5 years working time available.
- 13.First-rate filters inside, twice lamp lifetime ,excellent performance,new acknowledge
- 14.OPT square pulsed light engineering,not only result but also lamps lifetime longer too much.
- 15.Distinct UK Xenon lamps,strong energy density,perform shoot can reach 1,000,000 shoots.
- 16.Unique plug and play socket design in the market,more than 20 millions times plug in and out.
- 17.Smart software,45 kinds data preset for simple mode operation.Choose skin type,hair color, hair type easilytreatment can start. Meanwhile professional mode is very convenient for doctors.



Filters optional



UK lamp



3 Handle buttons



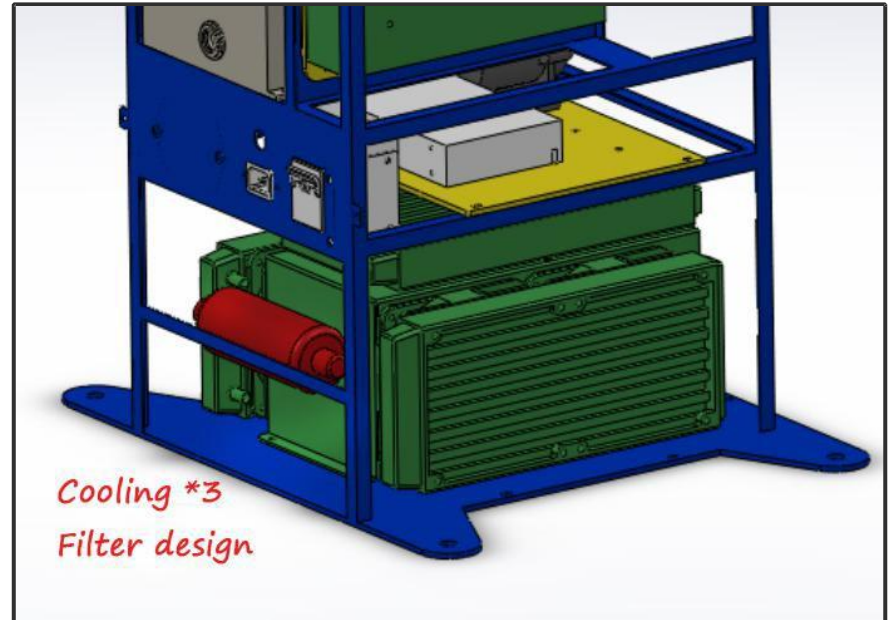
Spot size 18\*50 /18\*30



70s Ice frozen



1,000,000 Shoots lifetime



# Applications



Painless hair Removal



Skin whitening



Acne therapy



Improved redness



Freckle removal



Wrinkle removal,  
skin lift.



Tattoo removal



Carbon peeling



Super skin rejuvenation



Forever make up removal





# Specifications:

<b>IPL /Elight / SHR</b>	
Display	10'
Cooling	Fans cooling+Tec cooling+Water cooling
Power Supply	200V~260V/50~60HZ;90V~130V/50~60HZ
Standard Tips	IPLhandle *1,Elight*1,3 filters standard,
Energy	Elight /IPL1-50J, SHR1-26J
Frequency	1~10HZ
Spot size	18*50mm and 18*30mm
Power	3000W
Pulse width	15ms
<b>Diode laser</b>	
808nm diode laser wavelength	808nm or Triple wavelength
Spot size	12mm*20mm
Pulse width	10HZ30ms or1HZ300ms
Energy density	10-100J/cm <sup>2</sup>
Cooling system	machine TEC+water +fans+handle semiconduct cooling

# Specifications:

Nd YAG laser	
wavelength	1064nm/532nm/1320nm
Spot size	2-10mm
Pulse width	<8ns
Energy density	max 2000mj
Frequency	1-10HZ
Cooling system	water +fans+handle semiconduct cooling

# Before and After

## BEFORE AND AFTER



Before



After



Before



After



Before



After



Before



After



Before



After



Before



After

# Before and After

---



# About us

VIVA laser is a globe manufacture of medical-aesthetic equipment. It is famous in design and develop IPL, Radio-Frequency, Diode laser, Co2 laser, Nd-yag laser and HIFU, cavitation technology products.

We insist on offer safe and effective, profitable aesthetic high-performance equipments. Company passed ISO13485 medical device quality management system, are certificated by Europe CE, American FDA and Australia TGA, Brazil Anvisa, Indonesia FDA, Thai FDA, Japan CQC and so on.

We are committed to be the top manufactures in medical-aesthetic industry and share the best value to our customers., R&D Team OEM/ODM. Service team.

